

# Glass Mounting Kit for H20 H21 H60 H61 Front Mount Shower Door Pulls

Model #: HDL-GLSKIT-

## FEATURES:

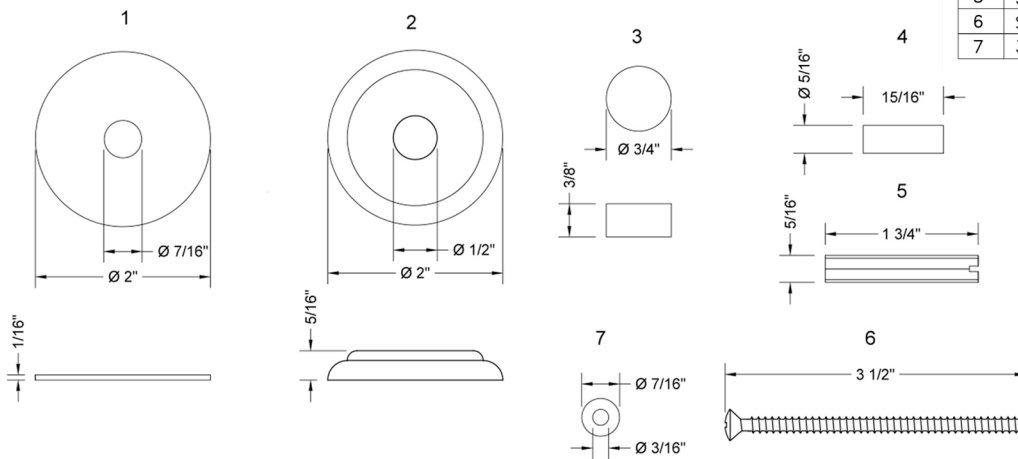
- Separate glass mounting kit required for front glass shower door handles



## AVAILABLE FINISHES:

|                         |                              |                       |
|-------------------------|------------------------------|-----------------------|
| Polished Chrome (PCH)   | Satin Chrome (SC)            | Bronze Umber (BU)     |
| Satin Nickel (SN)       | Pewter (PEW)                 | Caramel Bronze (CB)   |
| Polished Nickel (PN)    | Antique Brass (AB)           | Antique Copper (ACU)  |
| Oil-Rubbed Bronze (ORB) | Polished Brass (PB)          | Polished Copper (PCU) |
| Vintage Bronze (VB)     | Satin Brass (SB)             | Matte Black (MBK)     |
| Satin Gold (SG)         | Polished Gold (PG)           | Black Nickel (BKN)    |
| White (WH)              | Unlacquered Brass (ULB)      | Satin Cooper (SCU)    |
| Almond (ALD)            | Amber (AMB)                  | Azure Blue (AZB)      |
| Coral (COR)             | Mint Green (GRN)             | Stone Grey (GRY)      |
| Lilac (LAC)             | Light Blue (LBL)             | Limon (LIM)           |
| Plum (PLM)              | Pink (PNK)                   | Red (RED)             |
| Graphite (GPH)          | Aged Unlacquered Brass (AUB) |                       |

## SPECIFICATION DRAWING:



| COMPONENT PARTS |                                | QTY. |
|-----------------|--------------------------------|------|
| 1               | 30817-1 Rubber Washer          | 4    |
| 2               | 30756 - Escutcheon             | 2    |
| 3               | 4844 - Caps                    | 2    |
| 4               | 30817-2 - Plastic Spacers      | 2    |
| 5               | 30824-6 - Slotted Hex Nut      | 2    |
| 6               | Screw 30817-3 - 3/16" X 3 1/2" | 2    |
| 7               | 30817-5 - Metal Washer         | 4    |